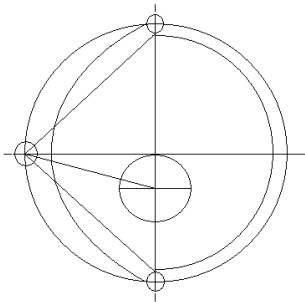


White Wines by the glass

Kopiko Bay Sauvignon Blanc	\$9.5
Chard Farm 'Swiftburn' Sauvignon Blanc	\$11.5
Cloudy Bay Sauvignon Blanc	\$16
Kopiko Bay Chardonnay	\$9.5
Chard Farm 'Closeburn' Chardonnay	\$13.5
Kopiko Bay Pinot Gris	\$9.5
Chard Farm 'Sur Lie' Pinot Gris	\$13
Roaring Meg Riesling	\$11



Red Wines by the glass

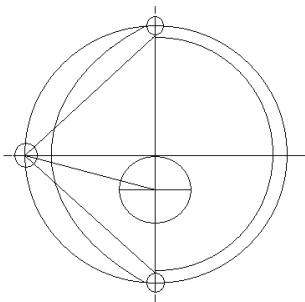
Kopiko Bay Pinot Noir	\$9.5
TED by Mount Edward Pinot Noir	\$14
Mt Difficulty "Roaring Meg" Pinot Noir	\$16
Kopiko Bay Merlot	\$9.5
Huntaway Syrah	\$12.5

Rose Wine by the glass

Rabbit Ranch Rose	\$11.5
-------------------	--------

Bubbles by the glass

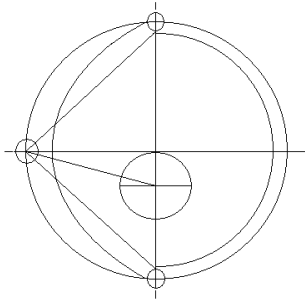
Cloudy Bay Pelorus	\$13
Lindauer Rose Prosecco	\$10



5pm-6pm daily

\$7

**kopiko bay wines,
house spirits,
speights glass**



Champagne

Moet & Chandon \$149
Epernay, France

Veuve Clicquot \$169
Reims, France

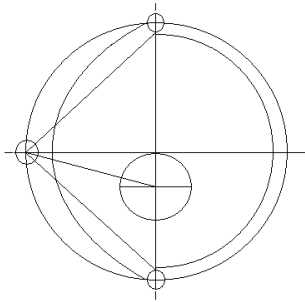
Méthode Traditionnelle

Lindauer Prosecco \$50
New Zealand

Lindauer Prosecco Rose \$10 glass \$50
New Zealand

Lindauer Special Reserve Cuvee \$65
Marlborough

Cloudy Bay Pelorus \$13 glass \$75
Marlborough



Sauvignon Blanc

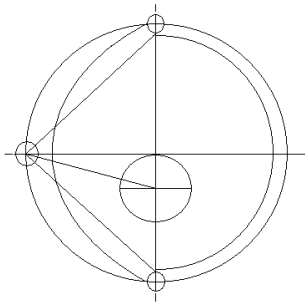
Kopiko Bay \$9.5 glass \$43
Marlborough

Chard Farm 'Swiftburn' \$11.5 glass \$53
Central Otago

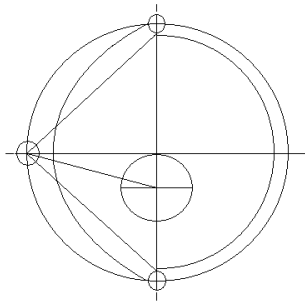
Rabbit Ranch \$48
Central Otago

Wither Hills "Rarangi" \$55
Marlborough

Cloudy Bay \$16 glass \$75
Marlborough



The Ned \$49
Marlborough



Chardonnay

Kopiko Bay \$9.5 glass \$43
Gisborne

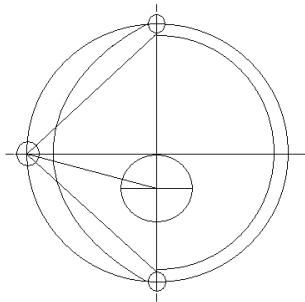
Chard Farm 'Closeburn'
Central Otago \$13.5 glass \$59

Trinity Hill \$48
Hawke's Bay

Riesling

Mt Difficulty 'Roaring Meg' Riesling \$11 glass \$49
Central Otago

Te Whare Ra Dry Riesling \$55
Central Otago



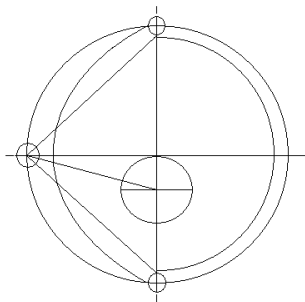
Pinot Gris

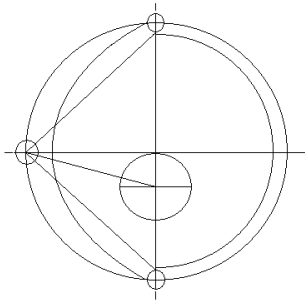
Kopiko Bay \$9.5 glass \$43
Gisborne

Chard Farm 'Sur Lie'
Central Otago \$13 glass \$59

Rose

Rabbit Ranch \$11.5 glass \$53
Central Otago





Pinot Noir

Kopiko Bay \$9.5 glass \$43

Marlborough

TED by Mount Edward \$14 glass \$59

Central Otago

Wither Hills "Taylor River" Single Vineyard \$58

Marlborough

Rabbit Ranch \$59

Central Otago

Mount Difficulty 'Roaring Meg' \$16 glass \$69

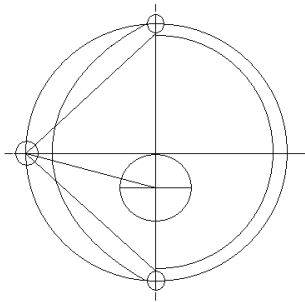
Central Otago

Chard Farm 'Finla Mor' \$79

Central Otago

Surveyor Thomson \$89

Central Otago



Cabernet, Merlot & Blends

Kopiko Bay Merlot \$9.5 glass \$43

Hawkes Bay

Angus 'The Bull' Cabernet Sauvignon \$59

Central Victoria, Australia

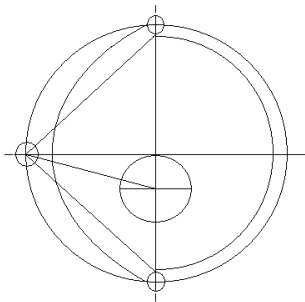
Shiraz

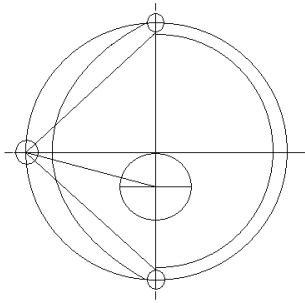
Tyrrell's \$59

Hunter Valley, NSW

Huntaway Syrah \$12.5 glass \$59

Hawkes Bay



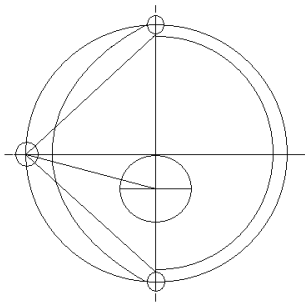


House Spirits

(Standard 30ml pour)

\$9.5

Gordons Gin
Smirnoff Vodka
Jim Beam Bourbon
Coruba Rum
Bacardi White Rum
Johnnie Walker Red Label
De Valcourt Brandy



Premium Spirits

(Standard 30ml pour)

Gin

Bombay Sapphire	\$9.5
Tanqueray	\$9.5
Gordon's Pink Gin	\$9.5

Vodka

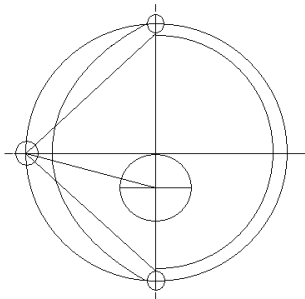
42 Below	\$9.5
Broken Shed	\$11

Bourbon

Jack Daniel's	\$10
Wild Turkey	\$10

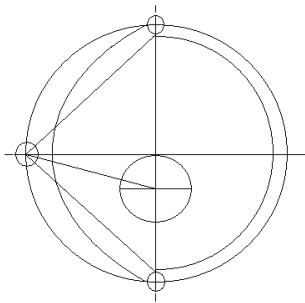
Rum

Malibu	\$9.5
Bundaberg	\$9.5
Appleton Estate	\$11
The Kracken dark spiced	\$11



Tequila

Jose Cuervo	\$9.5
1800 Anejo	\$12



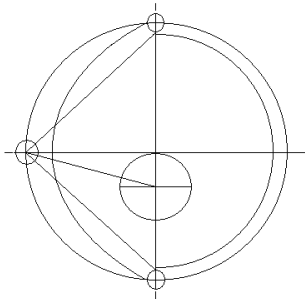
Whiskey

Johnnie Walker Black	\$11
Chivas Regal	\$11

Single Malt Whisky

(Standard 30ml pour)

Glenfiddich 12yr – Speyside	\$11
Glenkinchie 12yr – Lowland	\$14
Glenlivet 12yr – Speyside	\$12
Glenmorangie 10yr – Highland	\$12
Laphroaig 10yr – Islay	\$14.5
Talisker 10yr – Isle of Skye	\$13.5



Cognacs

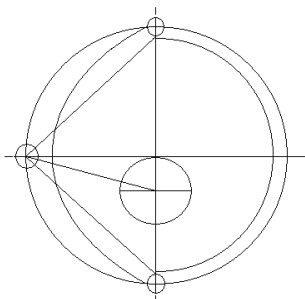
(Standard 45ml pour)

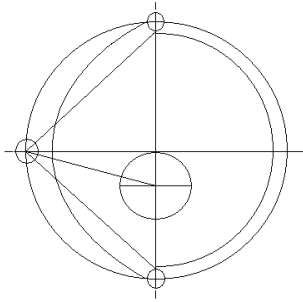
Courvoisier VSOP	\$18.5
Hennessey VSOP	\$19.5
Remy Martin XO	\$34

Liqueurs

(Standard 30ml pour)

Baileys (60ml pour)	\$12
Campari	\$9.5
Chambord	\$9.5
Cointreau	\$9.5
Drambuie	\$9.5
Frangelico	\$9.5
Glayva	\$9.5
Grand Marnier	\$9.5
Kahlua	\$9.5
Pernod	\$9.5
Pimms	\$9.5
Southern Comfort	\$9.5
Tia Maria	\$9.5





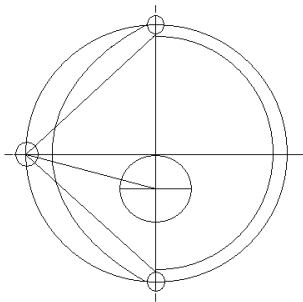
Martini

Bianco	\$9.5
Extra dry	\$9.5
Rosso	\$9.5

Port

(Standard 60ml pour)

Taylor's Tawny Port	\$12
Taylor's 10 year	\$16
Taylor's 20 year	\$26

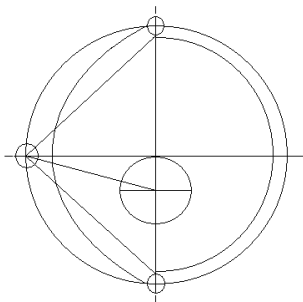


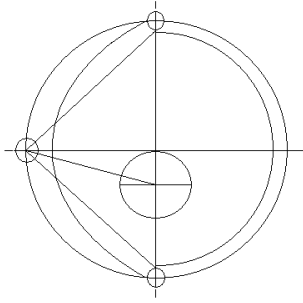
Tap Beers

Speights Gold Medal	Glass	\$8.5
	Pint	\$10
Steinlager Ultra Low Carb	Glass	\$9
	Pint	\$14
Emerson's Pilsner	Glass	\$11
	Pint	\$16

Bottled Beers & Cider

Speights Old Dark	\$9
Speights Summit ZERO	\$7.5
Steinlager Pure	\$9.5
Macs Green Beret IPA	\$9.5
Emerson's Pale Ale	\$11.5
Emerson's Pilsner	\$11.5
Panhead APA	\$11.5
Heineken - Netherlands	\$9.5
Corona	\$9.5
Speights Apple Cider	\$8.5



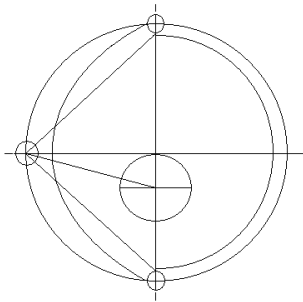


Coffee & Tea

Long Black, Macchiato, Espresso	\$4
Flat White, Cappuccino, Latte, Mocha	\$4.5
Hot Chocolate & Chai Latte	
Flavoured syrups – vanilla, caramel, hazelnut	\$0.5
Almond/Soy/Oat Milk	\$0.5
Go large add	\$1
Tea Selection	\$4

Soft Drinks

Post Mix	Glass	\$4
<i>Pepsi, Pepsi Max, 7-UP</i>	Pint	\$6
<i>Gingerale, Tonic</i>		
Cans		\$4.5
<i>Pepsi, Pepsi Max, 7-UP, Irn Bru</i>		
NZ Natural water		\$4.5
Mac's Ginger Beer		\$6
V Energy Drink		\$6
Antipodes Sparkling Water 500ml		\$7.5
Antipodes Still Water 500ml		\$7.5



Fruit Juice

from \$4.5

All prices include GST.

